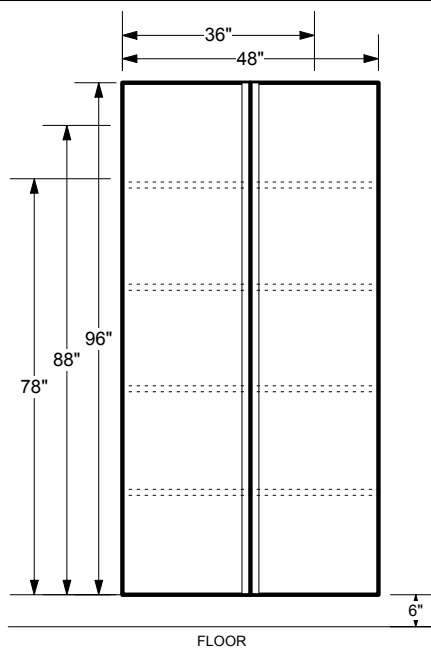


These drawings are examples of our standard garage cabinetry.

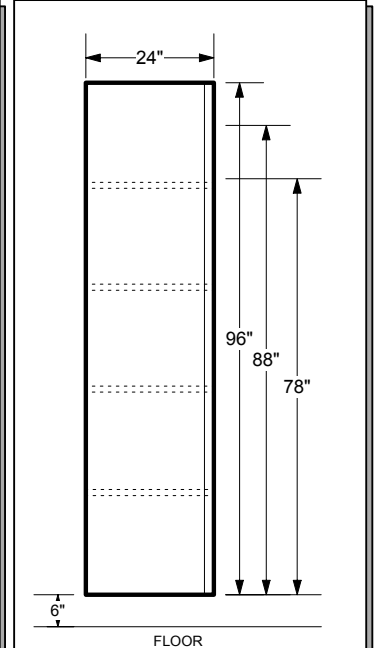
We will custom size and custom design any cabinet at no extra charge.

All cabinets are built to order and come with a life time warranty.

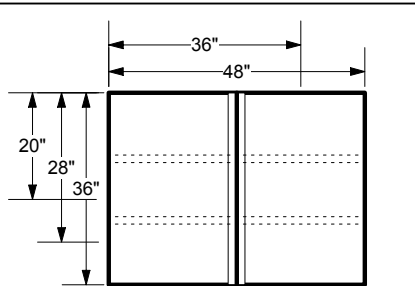
Euro Hinges - 4 per Door
Full Length Aluminum Door Pulls
All Cabinets Wall Hung 6" above Floor



Tall Cabinet - 2 Door
Available Widths: 36", 48"
Available Depths: 16", 20", 24"

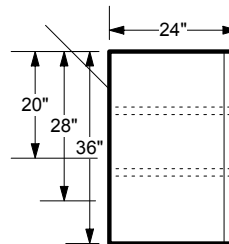


Tall Cabinet - 1 Door
Available Width: 24"
Available Depths: 16", 20", 24"

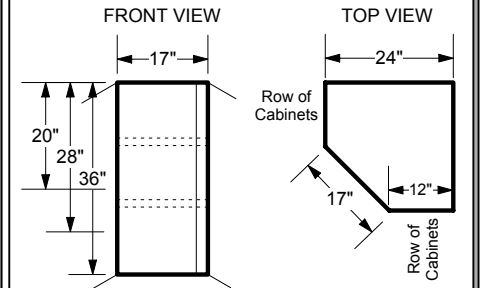


Upper Cabinet - 2 Door
Available Widths: 36", 48"
Available Heights: 36", 28", 20"
Available Depths: 12", 14"

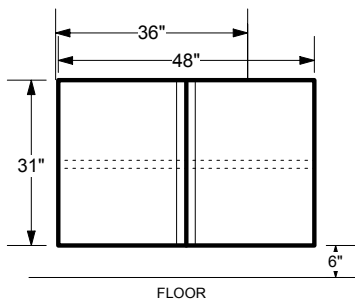
Use 12" Deep Cabinets over Work Bench



Upper Cabinet - 1 Door
Available Width: 24"
Available Heights: 36", 28", 20"
Available Depths: 12", 14"

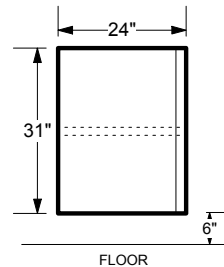


Upper Cabinet - Corner Piece
Available Heights: 36", 28", 20"
Available Depth: 12" on ea. side

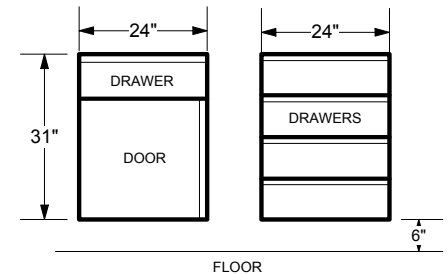


Lower Cabinet - 2 Door
Available Widths: 36", 48"
Available Depths: 16", 20", 24"

Suitable for under Work Bench



Lower Cabinet - 1 Door
Available Width: 24"
Available Depths: 16", 20", 24"



Drawer Units
Full Extension B/B Slides
Available Depths: 16", 20", 24"
Number of Drawers: 1, 3, 4, 5